

**Installation:**

1st nut should be spanned with 40 - 45Nm.

2nd nut should shall be brought at least to a snug-tight condition, with special care being given to avoid over-tightening.

Nut-marking should be made acc. to figure after torque.

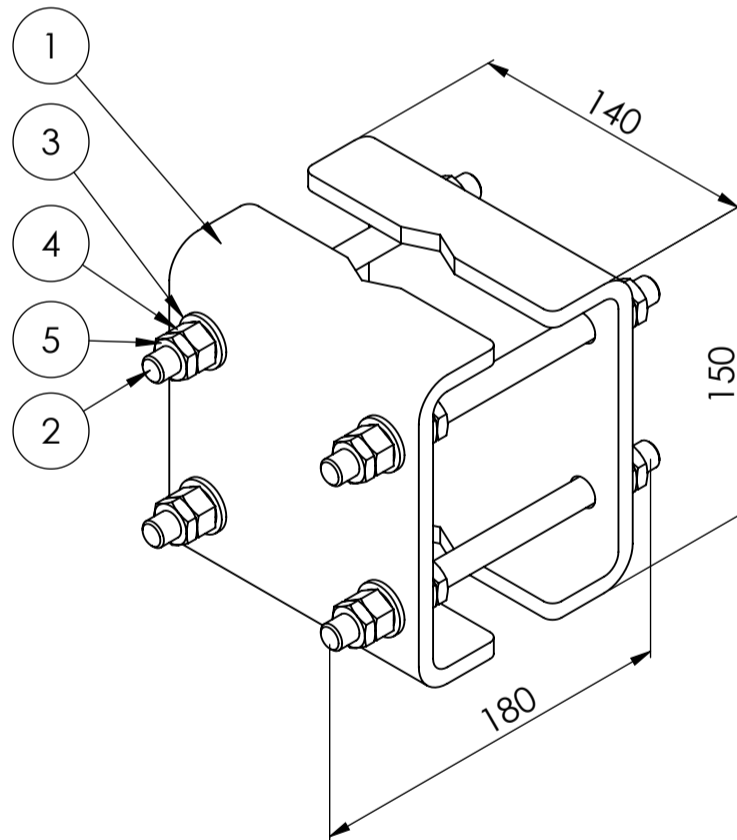
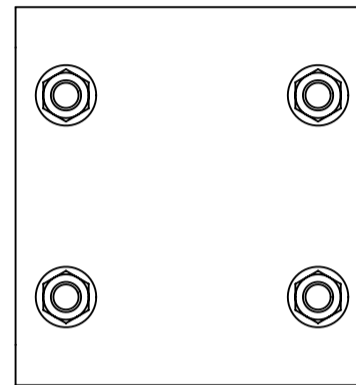
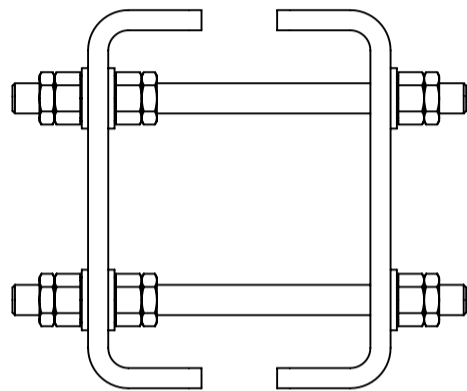
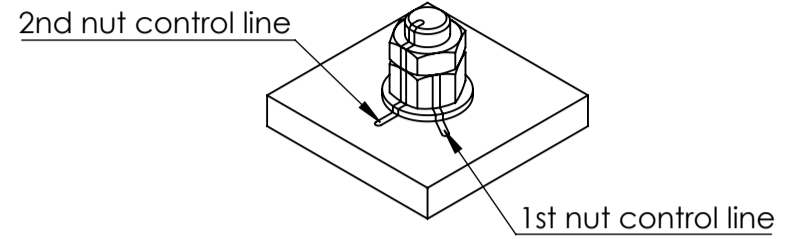
**Maintenance:**

Visual inspection of bolt torque and any loose items is made 1 year after installation, and afterwards every 5th year.

Check if the marking from bolt torque is still straight.

Check if the corrosion protection system is satisfactory.

Any findings must be repaired as soon as possible.



ITEM NO.	PART NUMBER	DESCRIPTION	QTY.
1	CB-Ø25-35 300	C bracket Ø25-35	2
2	M12x180 DIN976	Horizontal pole bracket pin-bolts	4
3	Washer ISO 7089 - 12		12
4	ISO - 4032 - M12 - W - N		12
5	ISO - 4035 - M12 - N		12

Rev.:	Int.:	Date:	Comment		
Customer.:					
Subjekt.:		Spare parts for CB and CBM Ø25-35			
Date.:	16-09-2021	Production no.:	Scale.:	1:3	Format:A3
Order no.:		Calculation:	Int.:	SP/MRF	Projektion:
Drawing. No.:	CB-CBM-Ø25-35	Note.:			
This drawing is our property and must not be copied, transferred or in any way used by a third party without our written permission					Tolerance: DS/EN 1090-2 DS/ISO 2768-2-L