

Installation:

1st nut should be spanned with 40 - 45Nm.

2nd nut should be brought at least to a snug-tight condition, with special care being given to avoid over-tightening.

Nut-marking should be made acc. to figure after torque.

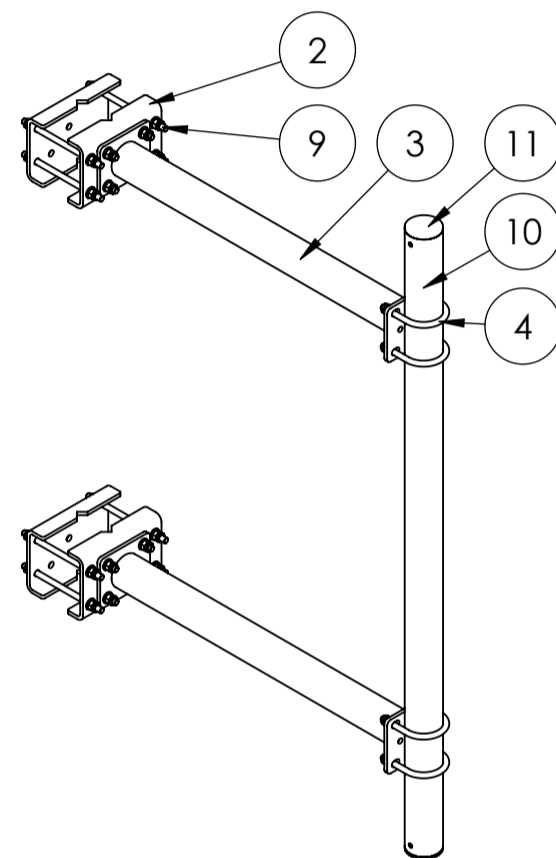
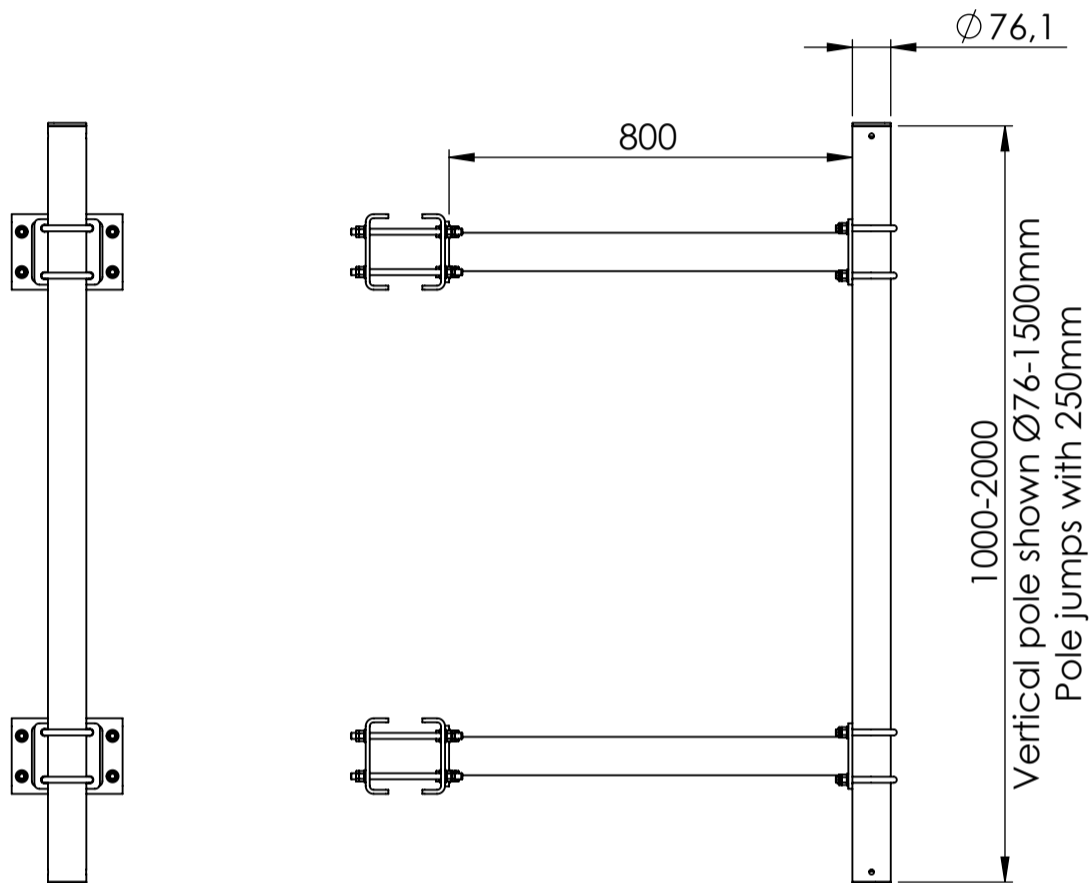
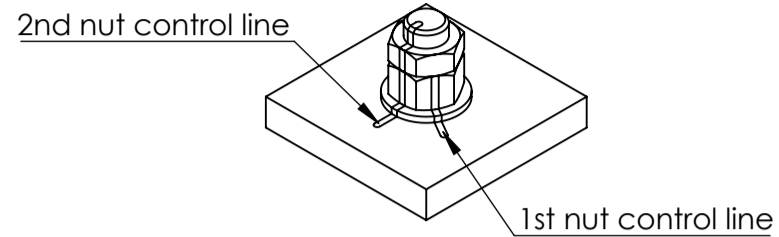
Maintenance:

Visual inspection of bolt torque and any loose items is made 1 year after installation, and afterwards every 5th year.

Check if the marking from bolt torque is still straight.

Check if the corrosion protection system is satisfactory.

Any findings must be repaired as soon as possible.



Basic wind $V_{b,0} = 27 \text{ m/s}$
 Terrain class $TC = 1$
 Max height of installation = 70m

Max loads per 1 mount pole from equipment: 100kg, $C_xA=1.0\text{m}^2$

ITEM NO.	PART NUMBER	DESCRIPTION	QTY.
2	CB-L60-110 300	C bracket L60-110	4
3	CVB_H800	Horizontal pole for C and V bracket - Vertical $\text{Ø}60,3-76,1$	2
4	U-bolt M12 C-C = 90		4
5	Washer ISO 7089 - 12		40
6	ISO 4017 - M12 x 45-N		8
7	ISO - 4032 - M12 - W - N		32
8	ISO - 4035 - M12 - N		32
9	M12x220 DIN976	Horizontal pole bracket pin-bolts	8
10	Pole $\text{Ø}76-1500$	Vertical pole $\text{Ø}76,1$ - length: 1500	1
11	GL 76x1.6-4	tubular legs for $\text{Ø}76,1$	2

Rev.:	Int.:	Date:	Comment
Customer.:			
Subjekt.: Antenna offset f. L60-110 with fixed pole			
Date.:	24-06-2020	Production no.:	Scale.: 1:15
Order no.:		Calculation:	Int.: SP/MRF
Drawing. No.:	CB-L60-110 H800		Note.:
This drawing is our property and must not be copied, transferred or in any way used by a third party without our written permission			Format:A3 Projection: Tolerance: DS/EN 1090-2 DS/ISO 2768-2-L