

Installation:

1st nut should be spanned to a tight condition.

2nd nut should be brought at least to a snug-tight condition, with special care being given to avoid over-tightening.

Nut-marking should be made acc. to figure after torque.

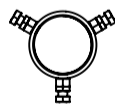
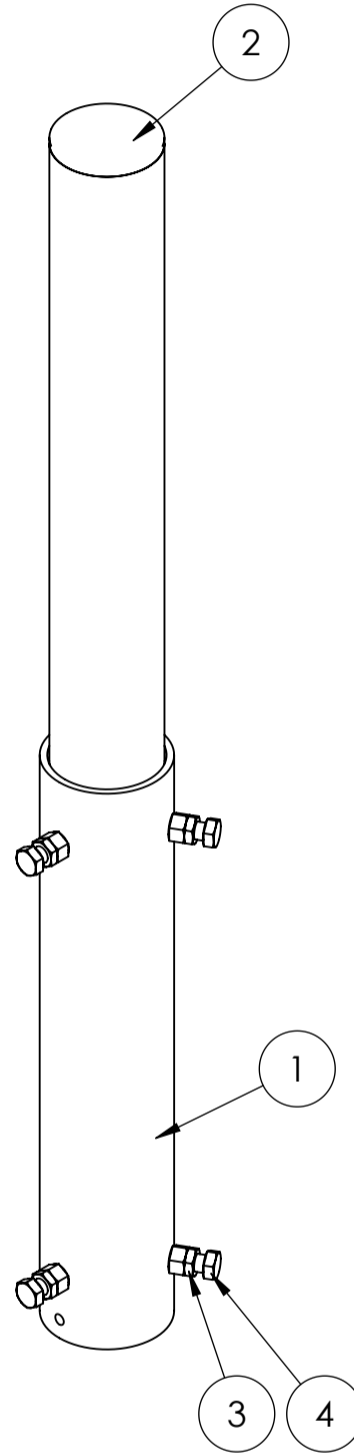
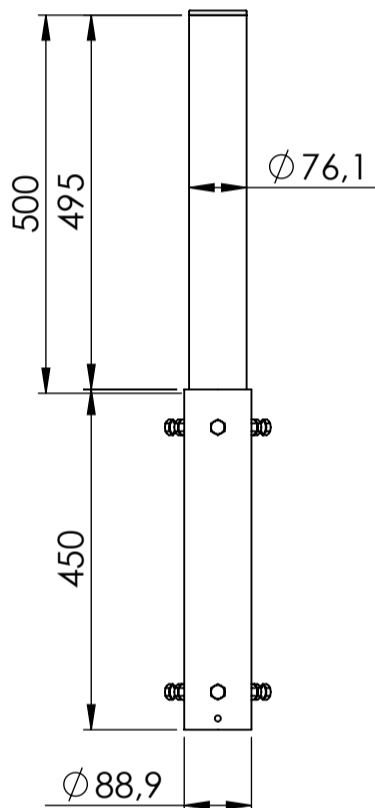
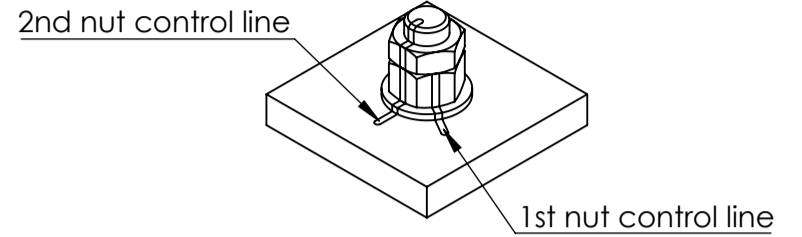
Maintenance:

Visual inspection of bolt torque and any loose items is made 1 year after installation, and afterwards every 5th year.

Check if the marking from bolt torque is still straight.

Check if the corrosion protection system is satisfactory.

Any findings must be repaired as soon as possible.



ITEM NO.	PART NUMBER	DESCRIPTION	QTY.
1	ET-Ø76_V500	Extension tube f. Ø76,1 - V500	1
2	GL 76x1.6-4	tubular legs for Ø76,1	1
3	ISO - 4035 - M12 - N		6
4	ISO 4017 - M12 x 30-N		6

Rev.:	Int.:	Date:	Comment																					
<table border="0"> <tr> <td rowspan="4" style="text-align: center; vertical-align: middle;"> </td> <td colspan="3">Customer.:</td> </tr> <tr> <td colspan="3">Subjekt.: Extension tube f. Ø76,1 – V500</td> </tr> <tr> <td>Date.: 19-10-2021</td> <td>Production no.:</td> <td>Scale.: 1:10</td> </tr> <tr> <td>Order no.:</td> <td>Calculation:</td> <td>Int.: SP/MRF</td> </tr> <tr> <td colspan="2">Drawing. No.: ET-Ø76 V500</td> <td>Note.:</td> <td>Format:A3</td> </tr> <tr> <td colspan="3">This drawing is our property and must not be copied, transferred or in any way used by a third party without our written permission</td> <td>Tolerance: DS/EN 1090-2 DS/ISO 2768-2-L</td> </tr> </table>					Customer.:			Subjekt.: Extension tube f. Ø76,1 – V500			Date.: 19-10-2021	Production no.:	Scale.: 1:10	Order no.:	Calculation:	Int.: SP/MRF	Drawing. No.: ET-Ø76 V500		Note.:	Format:A3	This drawing is our property and must not be copied, transferred or in any way used by a third party without our written permission			Tolerance: DS/EN 1090-2 DS/ISO 2768-2-L
	Customer.:																							
	Subjekt.: Extension tube f. Ø76,1 – V500																							
	Date.: 19-10-2021	Production no.:	Scale.: 1:10																					
	Order no.:	Calculation:	Int.: SP/MRF																					
Drawing. No.: ET-Ø76 V500		Note.:	Format:A3																					
This drawing is our property and must not be copied, transferred or in any way used by a third party without our written permission			Tolerance: DS/EN 1090-2 DS/ISO 2768-2-L																					