

**Installation:**

1st nut should be spanned with 40 - 45Nm.

2nd nut should shall be brought at least to a snug-tight condition, with special care being given to avoid over-tightening.

Nut-marking should be made acc. to figure after torque.

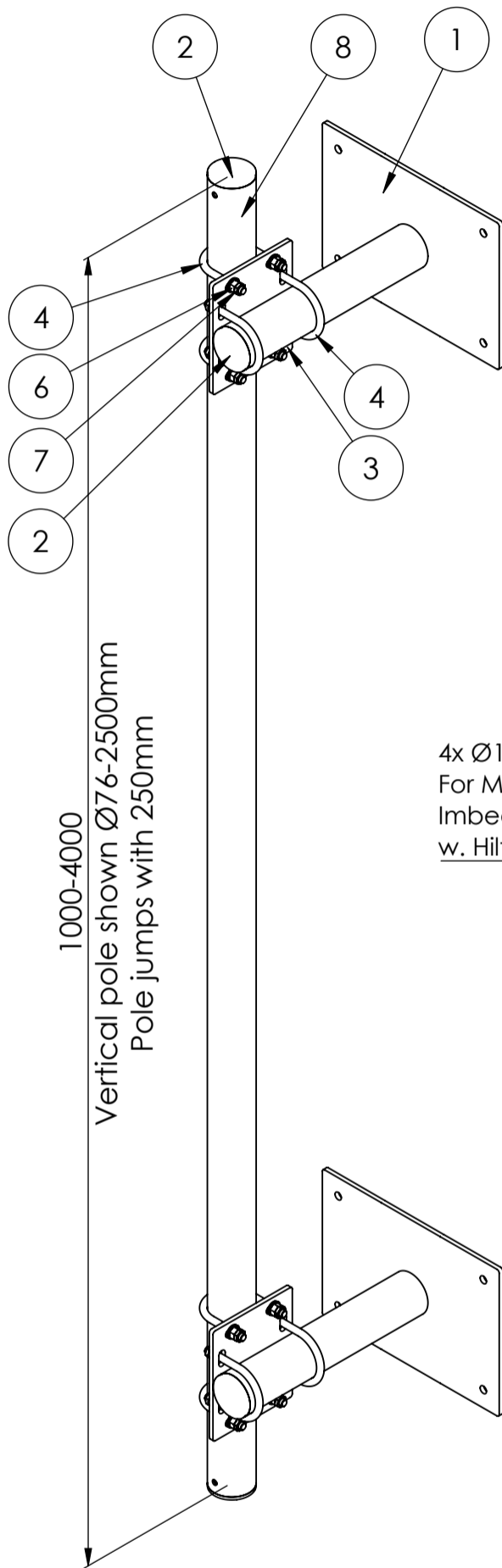
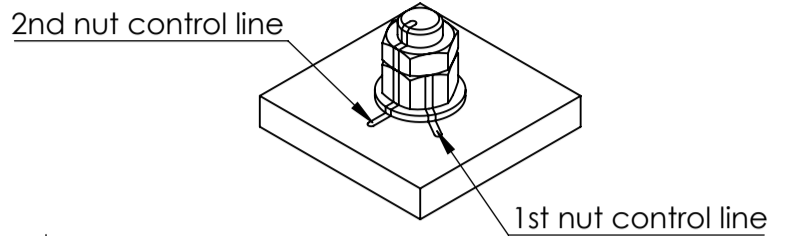
**Maintenance:**

Visual inspection of bolt torque and any loose items is made 1 year after installation, and afterwards every 5th year.

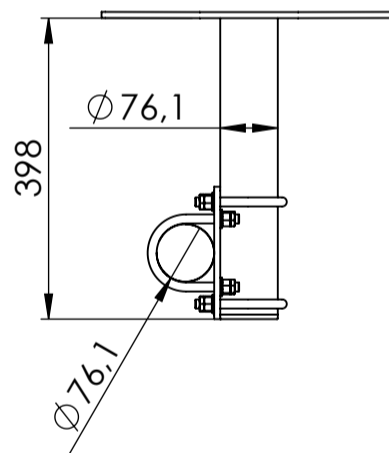
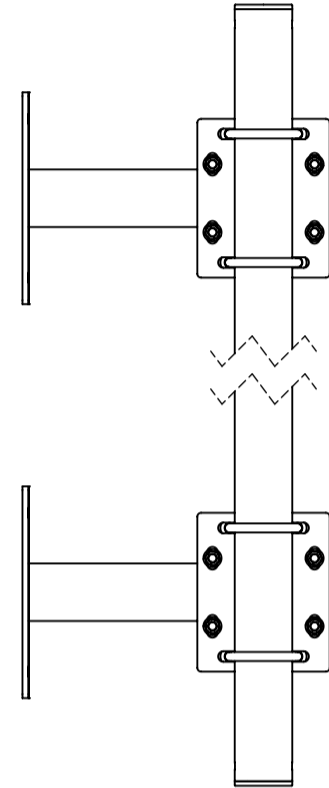
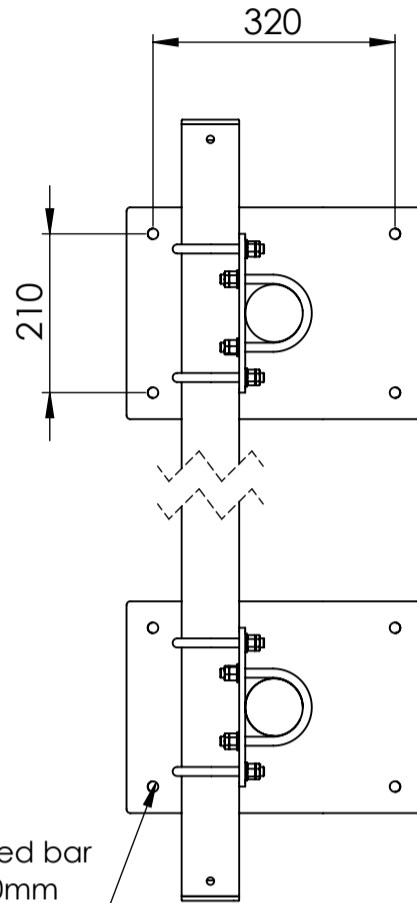
Check if the marking from bolt torque is still straight.

Check if the corrosion protection system is satisfactory.

Any findings must be repaired as soon as possible.



4x Ø14  
For M12 8.8 HDG Threaded bar  
Imbedment length = 100mm  
w. Hilti HIT-HY 270



Basic wind  $V_{b,0} = 24$  m/s  
Terrain class TC = 2  
Max height of installation = 50m

Max loads per 1 mount pole from equipment: 150kg,  $C_x A = 1.6m^2$

ITEM NO.	PART NUMBER	DESCRIPTION	QTY.
1	IBWM_H400	Horizontal pole bracket for verticale Ø76.1	2
2	GL 76x1.6-4	tubular legs for Ø76,1	4
3	MB-Ø76-76 300	Bracket vertical pole Ø76,1-76,1	2
4	U-bolt M12 C-C = 90		8
5	Washer ISO 7089 - 12		16
6	ISO - 4032 - M12 - W - N		16
7	ISO - 4035 - M12 - N		16
8	Pole Ø76-2500	Vertical pole Ø76,1 - length: 2500	1

Rev.:	Int.:	Date:	Comment
Customer.:			
Subjekt.: Antenna offset f. wall with multi adjustable brackets			
Date.:	24-08-2020	Production no.:	Scale.: 1:10
Order no.:		Calculation:	Int.: SP/MRF
Drawing. No.:	IBWM H400		Note.:
This drawing is our property and must not be copied, transferred or in any way used by a third party without our written permission			Format:A3 Projection: Tolerance: DS/EN 1090-2 DS/ISO 2768-2-L